

ULE USB Dongle

DECT-ULE Hub Platform

Datasheet

Version: 1.1



September 18, 2016

HeadquartersUSA

DSP Group Inc.
161 S San Antonio Rd
Suite 10
Los Altos, CA 94022
Tel: (408)986-4300
Fax: (408)986-4323

Israel

DSP Group Ltd.
5 Shenkar Street
Herzeliya, Israel 4672505
Tel: 972-9-952-9696
Fax: 972-9-954-1234

EuropeGermany

DSPG Technologies GmbH
Nelson-Mandela-Platz 18
90459 Nurnberg
Tel: +49-911-2001-0
Fax: +49-911-2001-1210

Scotland

DSPG Edinburgh Ltd.
Geddes House
Kirkton North
Livingston EH54 6GU
Tel: +44-(0)1506-407-730

APACChina

DSP Group (HK) Limited
Unit 1-4, 11/F,
909 Cheung Sha Wan Rd.
Kowloon
Hong Kong
Tel: +852-(3965)-5888

DSP Group (Shenzhen) Limited
Room 1819, 18/F
Kerry Centre, Renminnan Road,
Shenzhen, China 518001
Tel: +(86 755) 2518 1214

Ascend Technology Inc.
Room 1303,
New World Center,
No.6009 Yitian Road,
Futian District,
Shenzhen City, China
Tel: +86-755-820-24598
Fax: +86-755-239-82986

Ascend Technology Inc.
Rm 607,
Hui Huang International Center,
1st Place, Shangdi 10th Road,
Haidian District, Beijing City, P.R.

Japan

DSP Group (Japan) Inc.
1-29-1 Nishi-Gotanda
Shinagawa-Ku Tokyo 141-0031
Tel: +81-(3)-3493-3050

Tomen Electronics
8-27, Kohnan 1 Chome,
Minato-ku, Tokyo
108-8510, Japan
Tel: +81-(3)-5462-9619
Fax: +81-(3)-5462-9686

Korea

Daesung Semiconductors
140-848, RM 401
Wonhyo BD. 46-1
Wonhyo-ro 3ka, Yongsan-gu,
Seoul, Korea
Tel: +82-(2)-3272-7300
Fax: +82-(2)-712-4632-3

India

DSP Technology Indian Private Limited
Information Technology Park
Nagawara Village Kasaba Hobli
Bangalore 560045
Tel: +91 80 4024 8399

Taiwan

Ascendtek Electronics, Inc
11F-7, No. 77, Sec. 1
Hsin Tai Wu Rd.,
Hsi Chih
Taipei Hsien,
Taiwan, R.O.C
Tel: 886-2-2698-8696
Fax: 886-2-8698-2138

This document is provided by DSP Group, Inc. and/or one or more of its subsidiaries ("DSP Group"). All information and data contained in this document is for informational purposes only, without any commitment on the part of DSP Group, and is not to be considered as an offer for a contract. DSP Group shall not be liable, in any event, for any claims for damages or any other remedy in any jurisdiction whatsoever, whether in an action in contract, tort (including negligence and strict liability) or any other theory of liability, whether in law or equity including, without limitation, claims for damages or any other remedy in whatever jurisdiction, and shall not assume responsibility for patent infringements or other rights to third parties, arising out of or in connection with this document. Further, DSP Group reserves the right to revise this publication and to make changes to its content, at any time, without obligation to notify any person or entity of such revision changes. These materials are copyrighted and any unauthorized use of these materials may violate copyright, trademark, and other laws. Therefore, no part of this publication may be reproduced, photocopied, stored on a retrieval system, or transmitted without the express written consent of DSP Group. Any new issue of this document invalidates previous issues.

DSP Group reserves the right to revise this publication and to make changes to its content, at any time, without obligation to notify any person or entity of such revision changes.

© 2016 DSP Group Confidential. All rights reserved.

TABLE OF CONTENTS

DESCRIPTION 4

DONGLE HARDWARE BLOCK DIAGRAM 5

FEATURES 7

APPLICATIONS 7

SPECIFICATIONS 7

MECHANICAL INFORMATION 8

SUPPLEMENTARY INFORMATION 8

 RFPI (DECT Radio Fixed Part Identity) 8

 Ordering Information 8

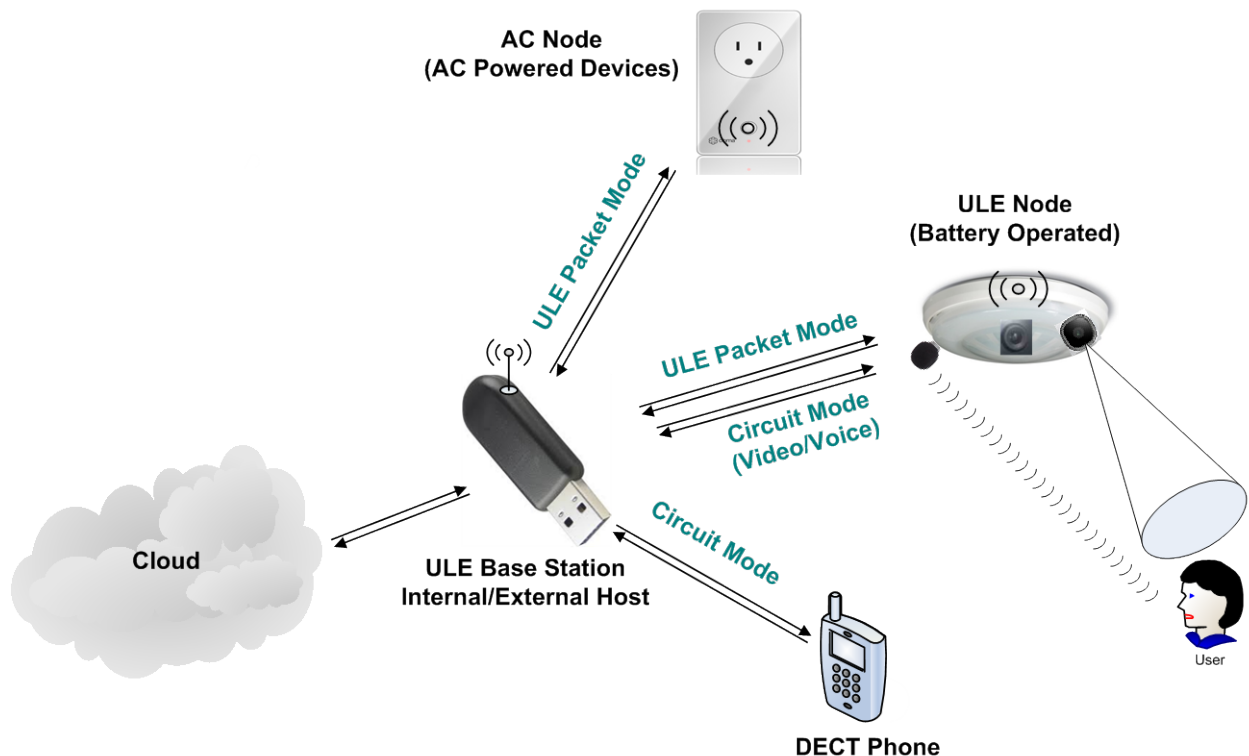
CHANGE LOG 9

Description

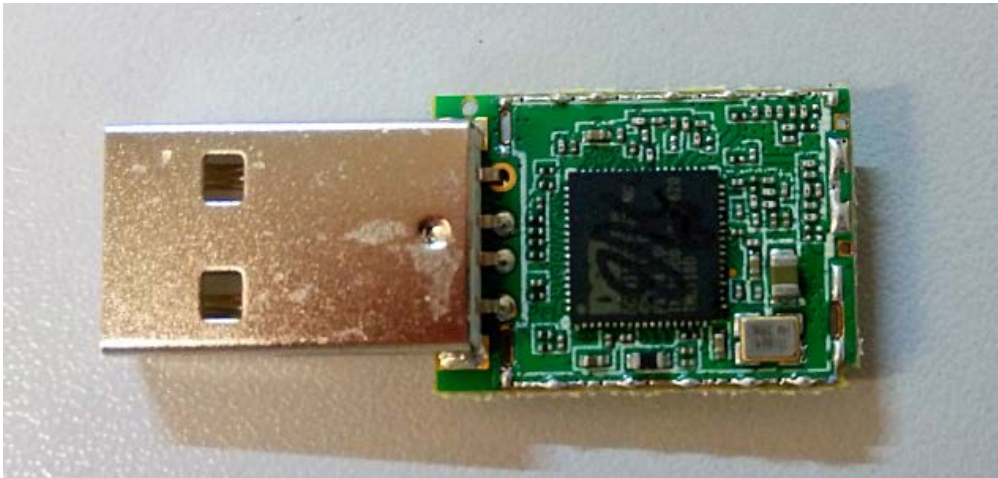
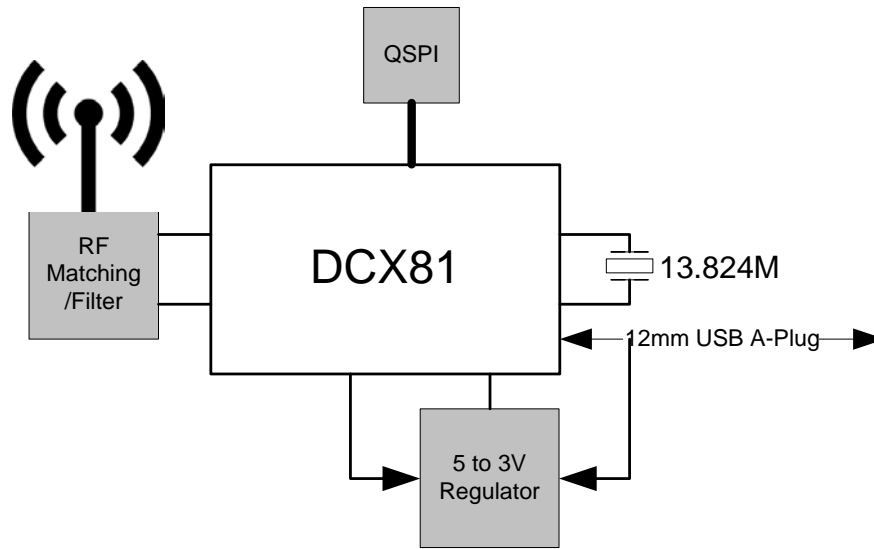
The DSPG ULE USB Dongle plugs into a PC (desktop, notebook or a popular low-cost “mini-PC” such as R-Pi), Home Gateway or Over-the-top (OTT) box – any device with a USB port. It functions as the Hub of a ULE (Ultra-Low Energy, a derivative of DECT) star network. As depicted in the diagram below, the ULE USB dongle can serve a wide variety of devices, ranging from traditional DECT cordless devices (using circuit-mode) to data only devices (using packet-mode) to devices that incorporate both data and voice (dual-mode).

The ULE USB Dongle is based on DSP Group’s DCX81System-On-Chip. It includes a SW stack that accounts for all the Physical, MAC and Network requirements of the DECT-ULE protocol. It also includes an optimized RF and Antenna design and the dongle will soon be certified with European and US regulatory authorities. This relieves the customer of mastering the DECT-ULE protocol and of optimization of the RF performance as well avoiding the expense and effort of regulatory certification. Attention can be focused on developing the requisite system functionality via design of application SW.

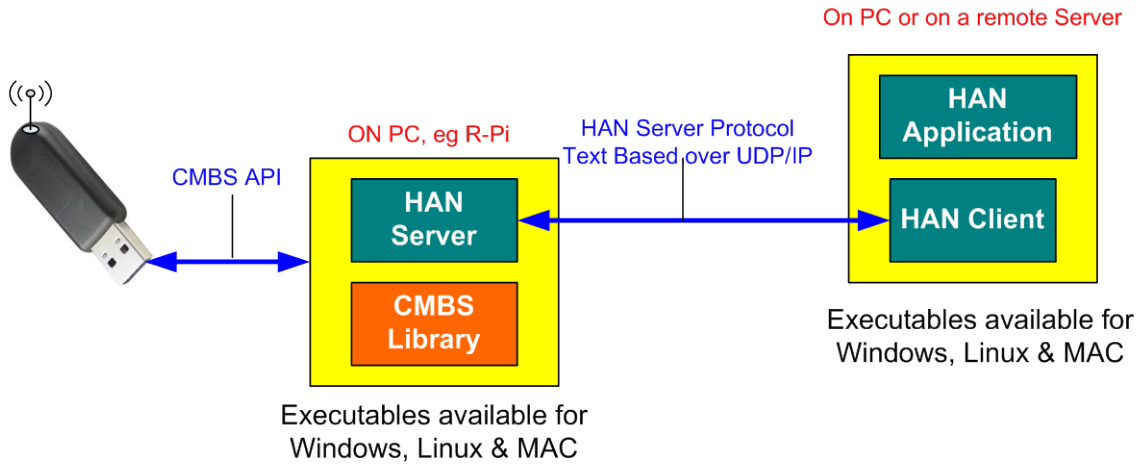
Application SW written by the customer interacts with the DECT-ULE SW (called the “CMBS Target SW”) resident on the Dongle via “agents”, ie libraries and Server-Client modules that must be compiled and embedded by the customer onto his PC or GW network processor. DSP Group provides reference code for these agents and the customer must adapt them for the appropriate operating system. While these agents run locally on the ULE Hub, the customer application can either run locally or, in some cases, it run remotely and communicate with ULE Hub via a text based UDP socket. For more information about these agents and options for interaction with the CMBS Target SW contact your DSP Group representative and request “Connecting the DCX81 CMBS to the Network”.



Dongle Hardware Block Diagram, Photo



ULE Hub (Base Station) with ULE Dongle + PC



Features

- Superior range and overall radio performance
- Housing includes a rotatable antenna to help avoid obstructions
- Operates in interference-free DECT frequency bands across the globe
- Serves as the ULE Hub for any GAP-Compliant, CAT-IQ DECT phone as well as any ULE Alliance Certified Device – concurrently!
- Easily embeddable “agents” residing on customer PC (or mini-PC) or GW provide an intuitive interface for the customer application SW and minimize the “learning curve” required to implement a fully functional system
- “Agents” can also provide a text-based, UDP-IP Socket over which the application SW can communicate with the ULE Dongle from a remote server
- Output Power: +22.5dBm EU, +20.0dBm US and Japan
- Rx Sensitivity: -96dBm
- Over-the-air Data Rate: 1.152Mbs
- Operating Temperature: -10°C to +60°C
- Maximum Tx Current: +430mA (EU)
- Maximum Rx Current: 135mA
- PCB Dimensions: 22 x 16mm excluding USB connector (see photo in later section)
- Package Dimensions: 122x22x14mm (including USB Connector). (Note: Possibility open for miniaturization of the package to suit customer needs)
- RoHS Compliant
- USB 2.0 Compliant (Full Speed), enumerates as Virtual COM port
- USB Driver support for Windows, MAC and Linux

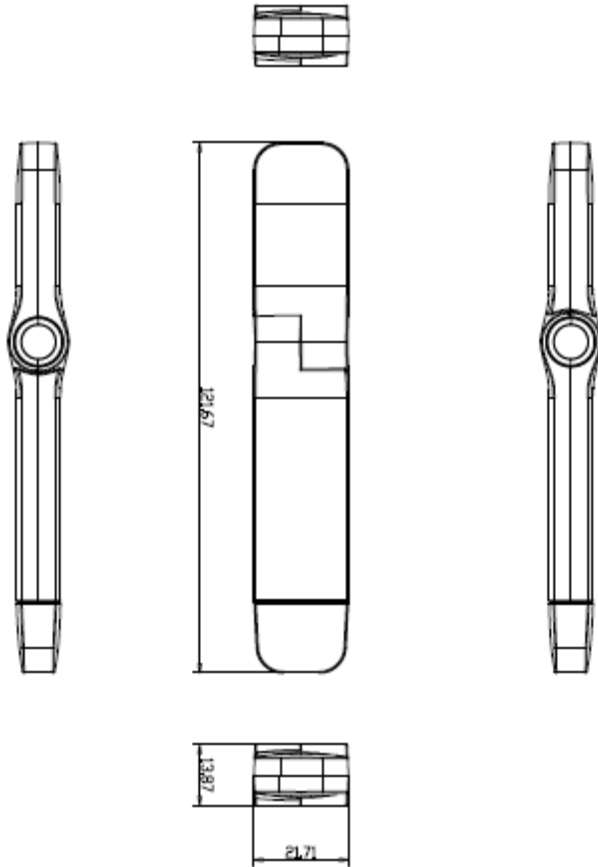
Applications

- Home Automation and Control
- Home Security and Monitoring
- Voice Enabled Smart Home
- Voice Pendants and Emergency Units
- Connected appliances
- Smart energy

Specifications

- Frequency Bands, # of channels:
 - EU has 10 channels: 1880-1898M (ETSI 300-175)
 - US (DECT6.0) has 5: 1921-1929M (FCC Part 15.323)
 - Japan has 5:1897-1905M (ARIB_STD-T101)
- Channel Spacing: 1.728MHz
- Frequency Accuracy: <10ppm over temperature range

Mechanical Information



Supplementary Information

RFPI (DECT Radio Fixed Part Identity)

Device comes loaded with a unique RFPI which can be read by the customer application

Ordering Information

Part # for US version: TBD

Part# for Other Regions: TBD

Change Log

Table 8-1: List of Changes

REVISION	DATE	DESCRIPTION
1.0	August 2016	Baseline release
1.1	September 18, 2016	Add Context Diagram showing CMBS Library, HAN-Client Server